

PROGRAMMER JLR v11.71 NEW 2024

Connect the programmer to the CAN wires in Mode A,
After 5-10 seconds, the car will open and alarm system turned off automatically
Disconnect the device and connect to the OBD socket in Mode 5,
After 15 seconds disconnect device and press the Start button on the console only once,
Then connect the device to OBD in Mode E and wait 15 seconds

After this operation you can add key emulator in Mode 0

If you see information on the dashboard "Wrong Key" or "Incorrect Key",
This means that car has a lock for adding new keys

Connect the device to CAN outside the car in Mode D to CAN and press Start on the console
(around 80% version of software in JLR cars possible to Start Engine by CAN)
New update will be ready soon

Additional info:

CAN pins numbers in the trunk lid module are 1 Low and 2 High (L460, L461) all different models also
CAN pins numbers in the door module are 11 Low and 12 High in the door (L663) all different models also
CAN pins number under front seat are 2 Low and 3 High or Green and Brown

CAN wires color inside car are Green CAN LOW and Brown CAN HIGH in all models

But some model still have colour of CAN like in older models

Yellow with Purple and Yellow with orange

All models of JLR cars have CAN wires inside trunk on left side or under front seats or in the right sill of the car



CLUB
GRABBER

CLUB
GRABBER

GRAB

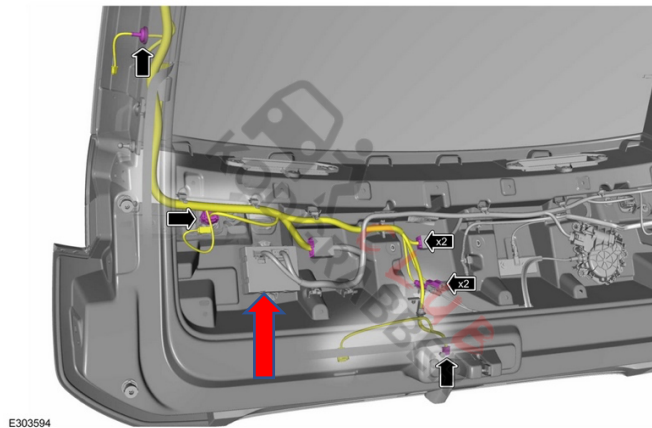


KODGRABBER
CLUB

KODGRABBER
CLUB

KODGRABBER
CLUB

CAN wires in the trunk lid L461 Sport



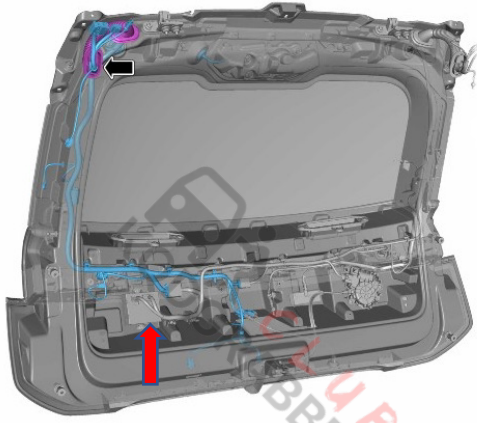
E303594

KODGRABBER
CLUB

KODGRABBER
CLUB

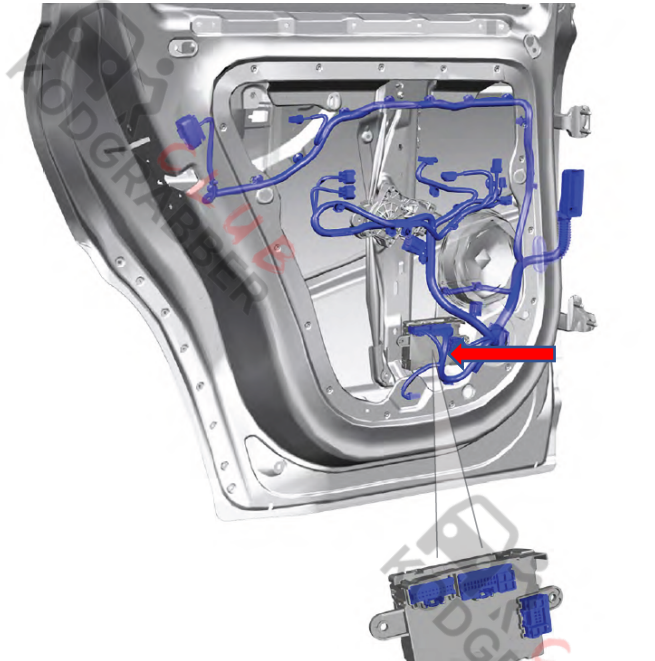
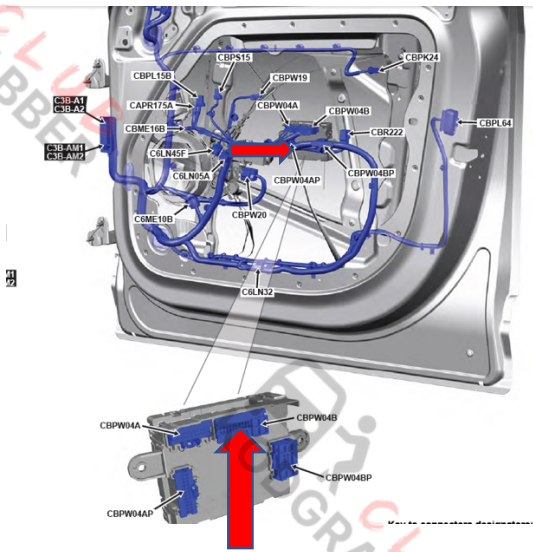
KODGRABBER
CLUB

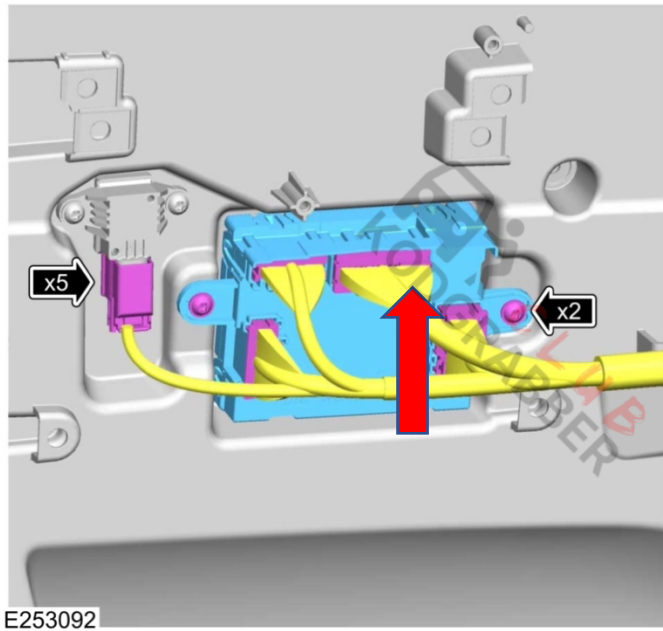
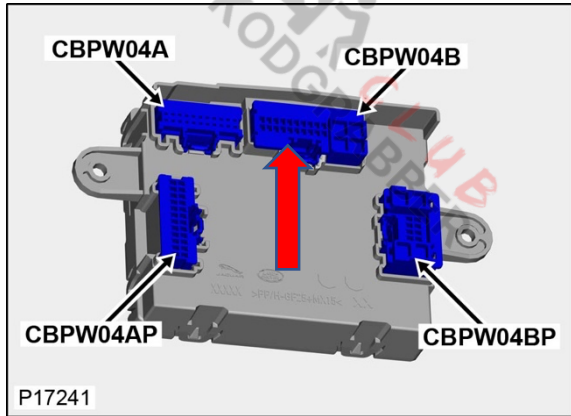
KODGRABBER
CLUB



16
CAN number in the connector from trunk lid module 11 Low and 12 High (all models)

CAN wires in the door L663 Defender



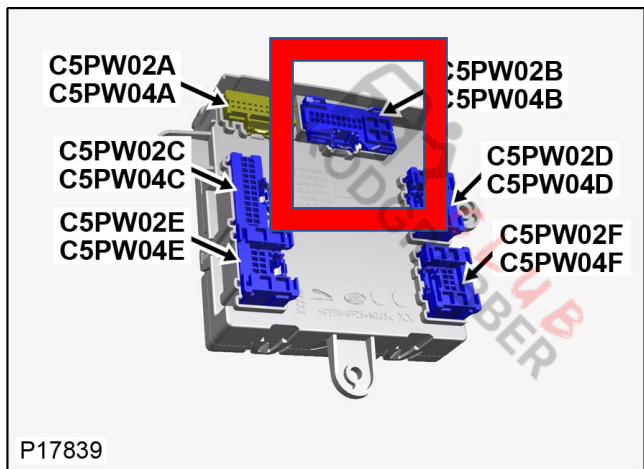
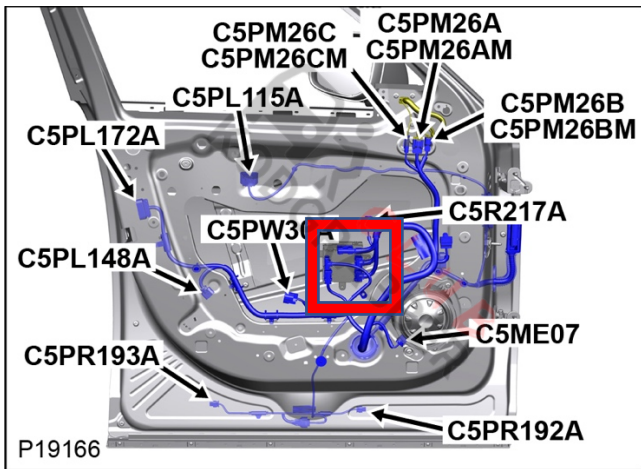


CAN number in the connector from door module 11 Low and 12 High (all models)

CAN wires in the trunk lid L460 Vogue



Trunk lid module CAN 1 Low and 2 High



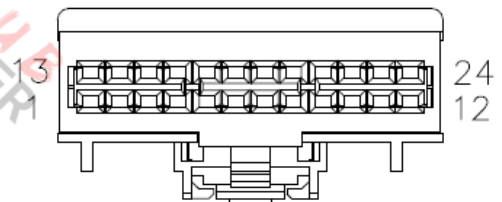
Door module CAN 11 Low and 12 High

Velar and Jaguar F-pace 05/2021-2024

CAN wires are like older models,
Yellow with Orange
 Yellow with Purple

Module in the trunk and in the door are the same like older models

Number 1 and 13 or number 12 and 24



BLACK